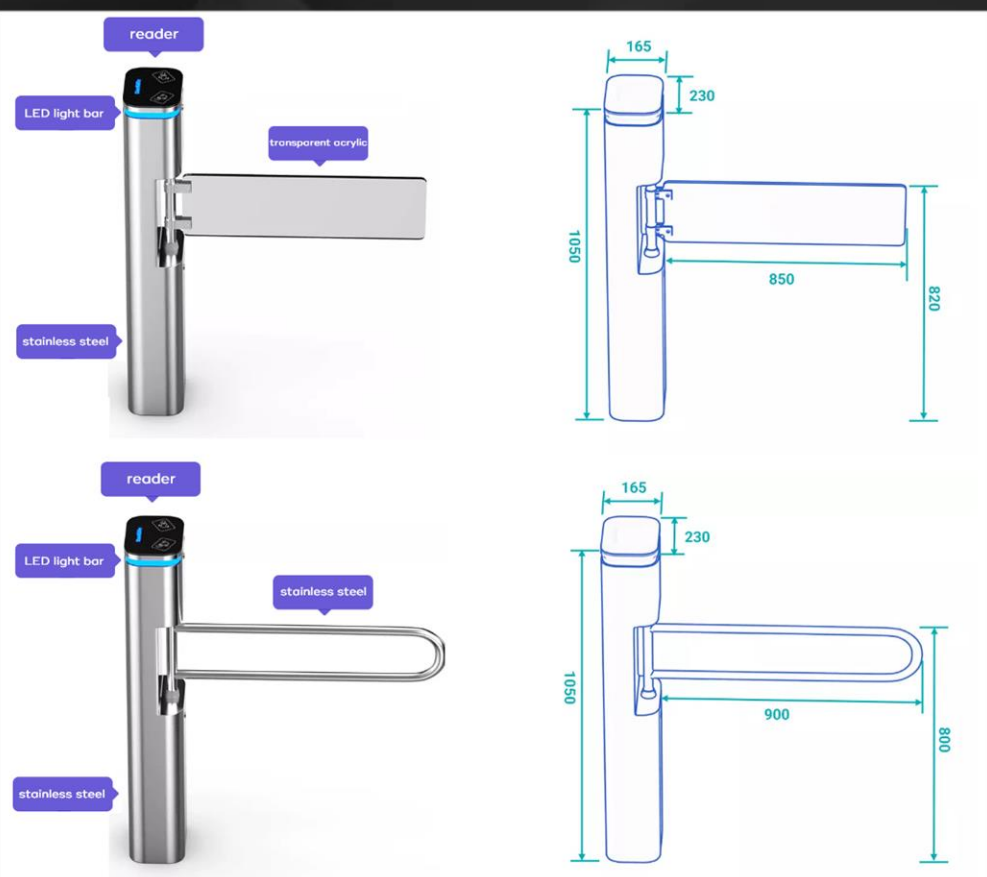


DS225-SXG-STD/BLK

- Support 900mm arm designed for wide passageway, wheelchair, pedestrian with large luggage or carts can pass.
- Body is made of brushed stainless steel, which is robust, rigid, anti-rust, waterproof and durable.
- The cabinet with 230 width which is flexible to install any type of reader directly in the gate itself (e.g.: Barcode, RFID, Biometric).
- At the top, it's covered by a high black tempered glass and body is surrounded with decorative LED light bar.
- In case of emergency, the turnstile arm will open



- Acrylic or stainless steel barrier arm
- Body in stainless steel or custom colored
- Scanner cover for highly illuminated environments
- IR impact protection sensor
- Adjustable opening time
- Simple application for tracking and validating scanned QR codes
- Supported fiscal QR codes: Croatia, Slovenia, Bosnia and Herzegovina

Product Parameters

Framework Material	Full Stainless Steel	Power Consumption	40W
Arm Material	Plexiglass / Stainless Steel	Operation Temperature	-20 °C - 75 °C
Dimension	230 * 165 * 1050mm	Operation Humidity	0 ~ 95% (No freeze)
Weight	25kg/pcs	Working Environment	Indoor / Outdoor
Passage Width	≤900mm (One passage)	Flow Rate	35 - 40 people per minute
Passing Direction	Single directional / Bi-directional	LED Indicator	Yes
MCBF	10 million	Infrared Sensor	2 pairs (optional) up or down
Power Supply	AC220V/110V, 50/60Hz	Emergency	Automatic arm open when power off
Operation Voltage	24V DC	Communication	Dry contact, Relay signal, RS485