

PP-9745W



- **Aluminum Die-Casting Stylish and Robust**
- **High Performance 12th Gen Intel Core**
- **Add-on Device Options For A Variety of Usage**
- **Flexible 2nd Display Options**
- **Smart-IO Extended Availability&Smart-DD One Cable Solution**



**Aluminum Die-Casting
Stylish and Robust**



**Intel
Core
UNLOCKED
14th Gen**

**High Performance
12th Gen Intel Core**



**Add-on Device Options
For A Variety of Usage**



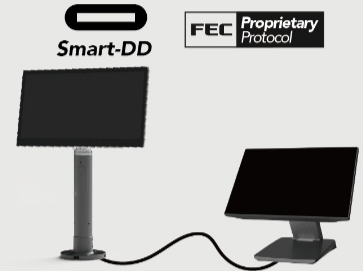
Flexible 2nd Display Options

LCM Customer Display / Smart-DP Monitor / XM-3015/W Arm Type Monitor



**Smart-IO
Extended Availability**

PUSB Hub Installed Underneath Stand / Xation



**One Cable Solution
Video+Power+USB**

Smart-DD Monitor XM-3010W / XM-3015 / XM-3015W

1 of 3





Copyright © 2024 Firich Enterprises Co., Ltd.
http://www.fecpos.com
10 F., No. 75, Sec. 1, Xintai 5th Rd., Xizhi Dist., New Taipei City 221432, Taiwan (R.O.C.)






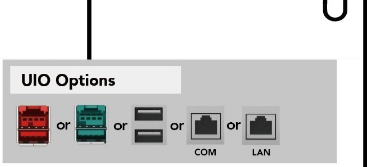


XPPC Series PP-9745W SPECIFICATIONS

XPPC Series
Panel PC

PP-9745W 15.6"

Model	PP-9745W			
Processor	12th Gen Intel® Core™ i3-12100 / i3-12100TE / i5-12400 / i5-12500TE / i7-12700		14th Gen Intel® Core™ (Optional) i3-14100T / i5-14500T / i7-14700T	
Memory	4GB Standard, Max 32GB (1 x SO-DIMM DDR4)			
Storage	1 x M.2 M key PCIe GenIII NVMe			
Display	15.6" TFT, 1920 x 1080 16:9			
Brightness	300 nits			
Touch	True-Flat PCAP (Default) / AG Coating (Optional); Conducted Susceptibility (CS) 10V			
Camera	2MP Front Camera (Optional)			
Wireless	802.11ac + BT (Optional)			
Speaker	2 x 2W Internal Speaker			
OS	Windows 10 IoT Enterprise	Supported	Drivers	Preloaded
	Windows 11 IoT Enterprise	Supported	Drivers	Preloaded
	Linux	Per Request		
Mounting	VESA 100 x 100 mm			
Certification	FCC / CE Class B / UKCA / ESD 8KV, 15KV			
Construction/Color	Aluminum Die-Casting + Plastic / Galaxy Grey + Sliver			
Temperature	Operation: 0°C ~ 40°C (32°F ~ 104°F) Storage: -20°C ~ 60°C (-4°F ~ 140°F)			
IO Port	1 x Universal IO 1 x Cash Drawer (RJ11) 1 x Smart-DD   1 x HDMI Port 2 x COM (RJ45) 1 x USB 2.0 3 x USB 3.0 1 x Giga LAN			



Optional IO Ports via Universal IO (UIO)	1 x DC-IN (20V)  1 x Smart-IO   1 x PUSB 24V (Default) 1 x PUSB 12V 2 x USB 2.0 1 x COM(RJ45) 1 x 2 nd LAN (RJ45)	
Optional IO ports via Smart IO Port 	Smart IO-to-DC-Jack 12V Cable 75cm Smart IO-to-24V Hosiden & USB-B Y-Cable 75cm Smart IO-to-COM(DB9), RI/5V/12V Adjustable Cable 75cm Smart IO-to-DC-Jack 12V & USB-B Cable 75cm Smart IO-to-PUSB12V Cable 1M Smart IO-to-PUSB Hub, 3 x PUSB12V & 1x PUSB24V via Cable (Hub Installed Underneath Stand)	
TPM	TPM 2.0: dTPM and fTPM/PTT	
Power	20V / 90W or 130W External Adapter	
Dimensions (W x H x D)	Panel PC: 368 x 235 x 34 mm Panel PC with Stand: 368 x 293 x 273 mm In Carton: 468 x 156 x 448 mm (18.4 x 6.1 x 17.7 in)	
Weight	Net 3.9 KG/8.6 lb Gross 4.9 KG/10.8 lb	
Inside the Product Carton	1 x PP-9745W 1 x Cable COM Port RJ45 8P-DB9 1 x Power Adapter 1 x AC Power Cord	
Add-on Peripheral Options	MSR/Fingerprint/RFID/MSR+RFID 2-in1 Scanner/iButton	

